

 **IShineLUX**



# **NOVA I TUNNEL LIGHT**

[www.ishinelux.com](http://www.ishinelux.com)

Tel: +86-755-29815402  
Email: [info@ishinelux.com](mailto:info@ishinelux.com)

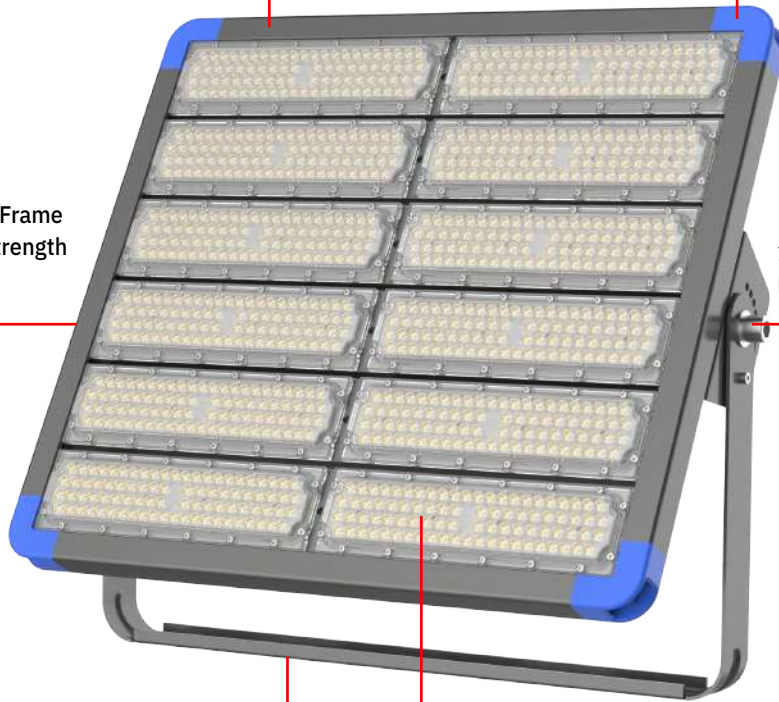
# Key Features

Integrated Breather Valve & Extrusion Aluminum Heat Sink Result In Excellent Thermal Management

Blue Aluminum Corner Increase Industrial Look

Black Extrusion Aluminum Frame Provide High Mechanical Strength & Best Heat Dissipation

180° Adjustable Bracket, Allows For Precise Installation



"L" Type Extended Bracket & Arms, 4mm Thickness, Anti-typhoon Rating 17

Anti-UV Optical Lens, 94% Transmittance, Professional Light Distribution: 15°/25°/45°/60°/90°/20\*50°/30\*70°/80\*140°



# NOVA Tunnel Light

## ISL-SDD-50W

### Specifications

#### Optical Data

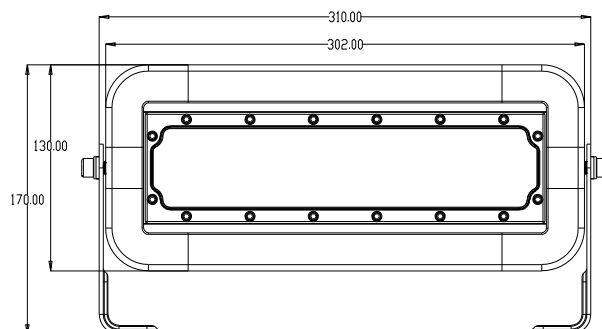
Power	50W
LED Chips	LUMILEDS / EPISTAR
Luminous Efficacy	140~150lm/W
Luminous Flux	Refer to IES
CCT	3000K~6500K
Beam Angle	15°/25°/45°/60°/90°/ 20°*50°/30°*70°/80°*140°
CRI (Ra)	70+/80+

#### Electrical Data

Driver	Meanwell/Sosen
Input Voltage	AC100~277V
Power Factor	>0.95
Output Voltage	DC42V
Total Harmonic Distortion	<15%
Driver Efficiency	92%

#### Others

IP Rating	IP66
Lifespan	60,000Hrs
Housing	Extrusion Aluminum 6063
Lens Material	Polycarbonate
Fixture Size	310*87*170mm
Carton Size	340*110*190mm
Net Weight	2.3KG
Gross Weight	2.6KG



# NOVA Tunnel Light

## ISL-SDD-100W

### Specifications

#### Optical Data

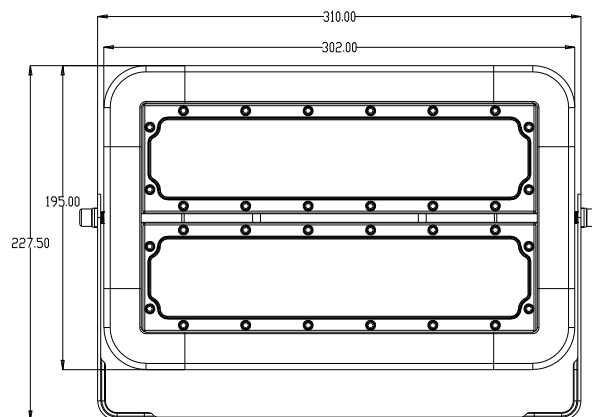
Power	100W
LED Chips	LUMILEDS / EPISTAR
Luminous Efficacy	140~150lm/W
Luminous Flux	Refer to IES
CCT	3000K~6500K
Beam Angle	15°/25°/45°/60°/90°/ 20°*50°/30°*70°/80°*140°
CRI (Ra)	70+/80+

#### Electrical Data

Driver	Meanwell/Sosen
Input Voltage	AC100~277V
Power Factor	>0.95
Output Voltage	DC42V
Total Harmonic Distortion	<15%
Driver Efficiency	92%

#### Others

IP Rating	IP66
Lifespan	60,000Hrs
Housing	Extrusion Aluminum 6063
Lens Material	Polycarbonate
Fixture Size	310*87*228mm
Carton Size	340*110*250mm
Net Weight	3.6KG
Gross Weight	4.1KG



# NOVA Tunnel Light

## ISL-SDD-150W

### Specifications

#### Optical Data

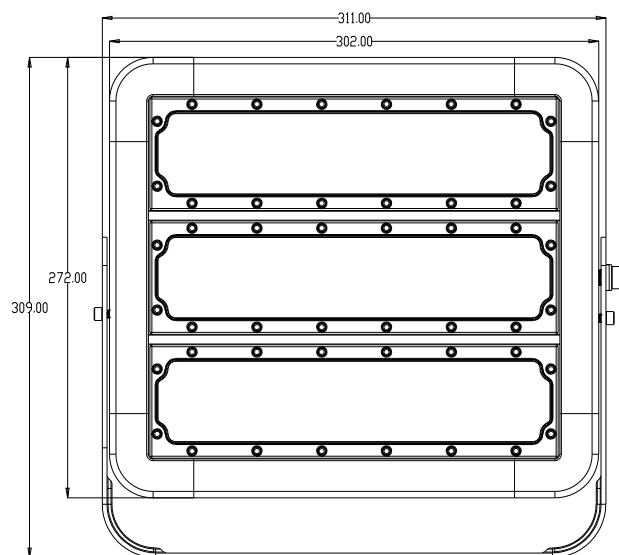
Power	150W
LED Chips	LUMILEDS / EPISTAR
Luminous Efficacy	140~150lm/W
Luminous Flux	Refer to IES
CCT	3000K~6500K
Beam Angle	15°/25°/45°/60°/90° / 20°*50°/30°*70°/80°*140°
CRI (Ra)	70+/80+

#### Electrical Data

Driver	Meanwell/Sosen
Input Voltage	AC100~277V
Power Factor	>0.95
Output Voltage	DC42V
Total Harmonic Distortion	<15%
Driver Efficiency	92%

#### Others

IP Rating	IP66
Lifespan	60,000Hrs
Housing	Extrusion Aluminum 6063
Lens Material	Polycarbonate
Fixture Size	311*87*309mm
Carton Size	340*110*330mm
Net Weight	4.5KG
Gross Weight	5.0KG



# NOVA Tunnel Light

## ISL-SDD-200W

### Specifications

#### Optical Data

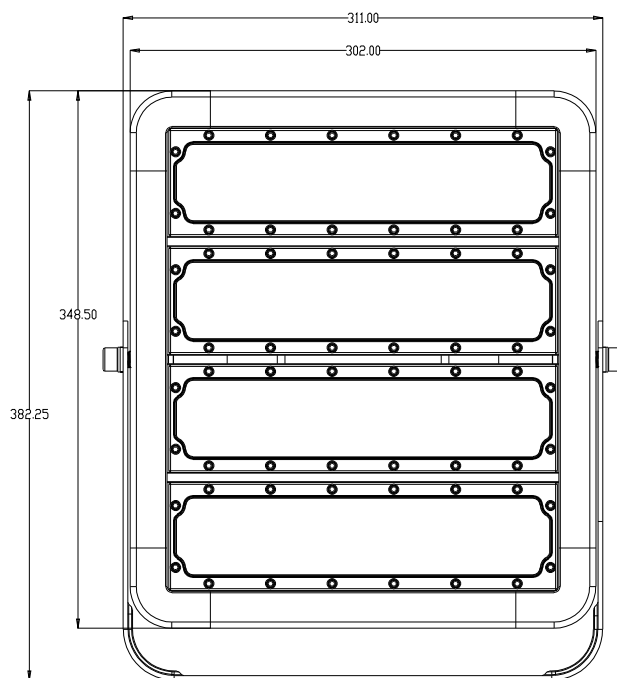
Power	200W
LED Chips	LUMILEDS / EPISTAR
Luminous Efficacy	140~150lm/W
Luminous Flux	Refer to IES
CCT	3000K~6500K
Beam Angle	15°/25°/45°/60°/90° / 20°*50°/30°*70°/80°*140°
CRI (Ra)	70+/80+

#### Electrical Data

Driver	Meanwell/Sosen
Input Voltage	AC100~277V
Power Factor	>0.95
Output Voltage	DC42V
Total Harmonic Distortion	<15%
Driver Efficiency	92%

#### Others

IP Rating	IP66
Lifespan	60,000Hrs
Housing	Extrusion Aluminum 6063
Lens Material	Polycarbonate
Fixture Size	311*97*383mm
Carton Size	340*120*400mm
Net Weight	5.5KG
Gross Weight	6.5KG



# NOVA Tunnel Light

## ISL-SDD-250W

### Specifications

#### Optical Data

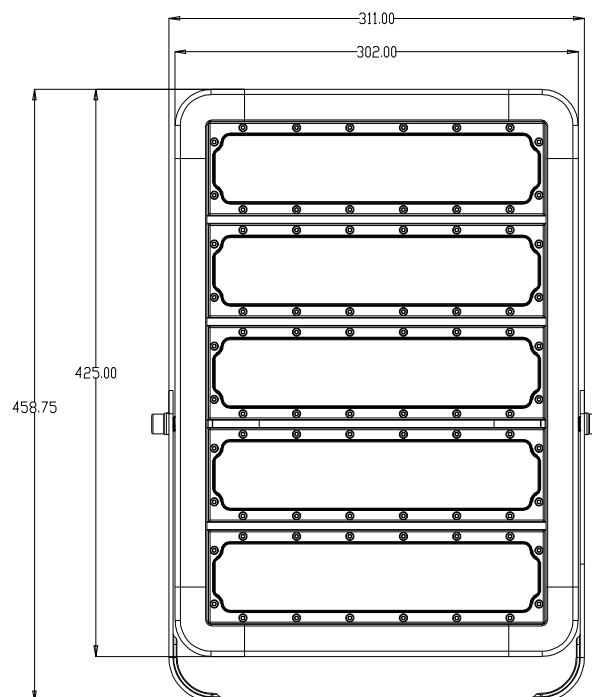
Power	250W
LED Chips	LUMILEDS / EPISTAR
Luminous Efficacy	140~150lm/W
Luminous Flux	Refer to IES
CCT	3000K~6500K
Beam Angle	15°/25°/45°/60°/90° / 20°*50°/30°*70°/80°*140°
CRI (Ra)	70+/80+

#### Electrical Data

Driver	Meanwell/Sosen
Input Voltage	AC100~277V
Power Factor	>0.95
Output Voltage	DC42V
Total Harmonic Distortion	<15%
Driver Efficiency	92%

#### Others

IP Rating	IP66
Lifespan	60,000Hrs
Housing	Extrusion Aluminum 6063
Lens Material	Polycarbonate
Fixture Size	311*97*459mm
Carton Size	340*120*480mm
Net Weight	6.5KG
Gross Weight	7.5KG



# NOVA Tunnel Light

## ISL-SDD-300W

### Specifications

#### Optical Data

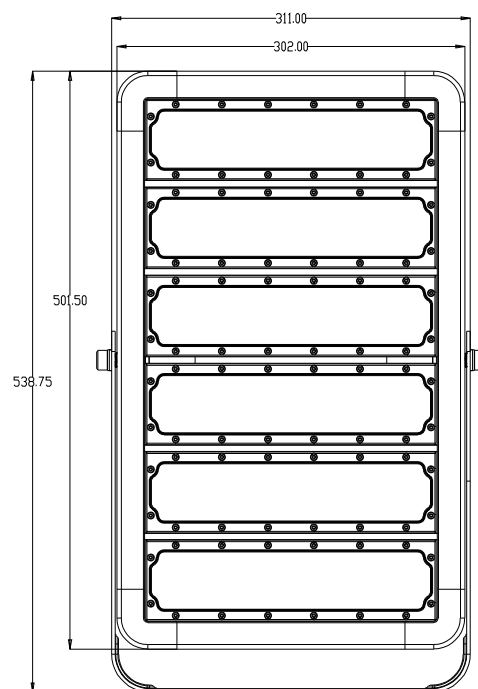
Power	300W
LED Chips	LUMILEDS / EPISTAR
Luminous Efficacy	140~150lm/W
Luminous Flux	Refer to IES
CCT	3000K~6500K
Beam Angle	15°/25°/45°/60°/90°/ 20°*50°/30°*70°/80°*140°
CRI (Ra)	70+/80+

#### Electrical Data

Driver	Meanwell/Sosen
Input Voltage	AC100~277V
Power Factor	>0.95
Output Voltage	DC42V
Total Harmonic Distortion	<15%
Driver Efficiency	92%

#### Others

IP Rating	IP66
Lifespan	60,000Hrs
Housing	Extrusion Aluminum 6063
Lens Material	Polycarbonate
Fixture Size	311*97*539mm
Carton Size	340*120*560mm
Net Weight	8.0KG
Gross Weight	9.0KG





# NOVA Tunnel Light

## ISL-SDD-400W

### Specifications

#### Optical Data

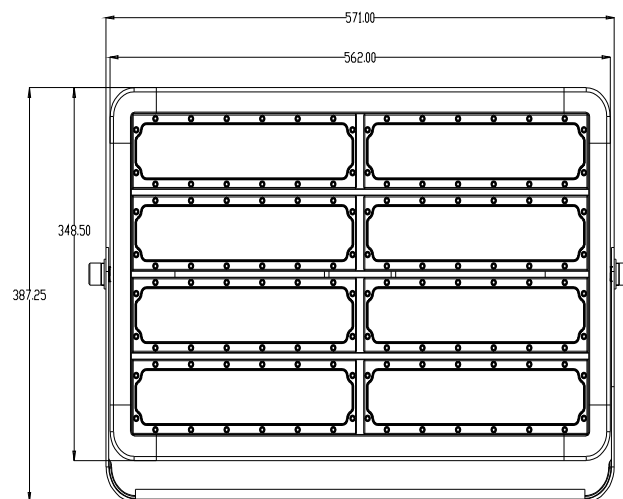
Power	400W
LED Chips	LUMILEDS / EPISTAR
Luminous Efficacy	140~150lm/W
Luminous Flux	Refer to IES
CCT	3000K~6500K
Beam Angle	15°/25°/45°/60°/90° / 20°*50°/30°*70°/80°*140°
CRI (Ra)	70+/80+

#### Electrical Data

Driver	Meanwell/Sosen
Input Voltage	AC100~277V
Power Factor	>0.95
Output Voltage	DC42V
Total Harmonic Distortion	<15%
Driver Efficiency	92%

#### Others

IP Rating	IP66
Lifespan	60,000Hrs
Housing	Extrusion Aluminum 6063
Lens Material	Polycarbonate
Fixture Size	571*107*388mm
Carton Size	600*140*400mm
Net Weight	11.0KG
Gross Weight	12.0KG



# NOVA Tunnel Light

## ISL-SDD-500W

### Specifications

#### Optical Data

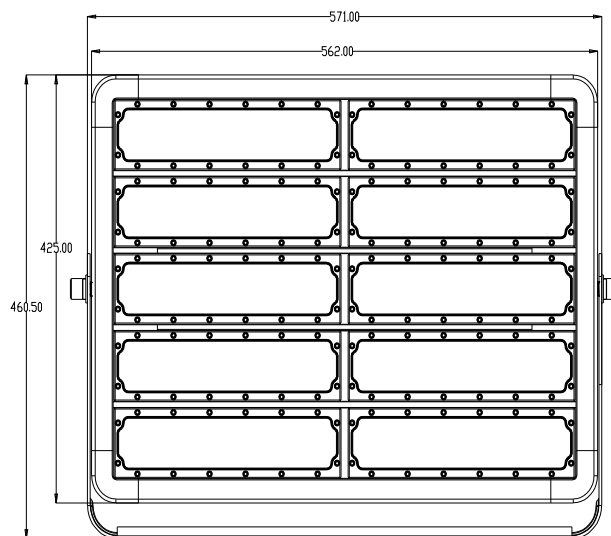
Power	500W
LED Chips	LUMILEDS / EPISTAR
Luminous Efficacy	140~150lm/W
Luminous Flux	Refer to IES
CCT	3000K~6500K
Beam Angle	15°/25°/45°/60°/90° / 20°*50°/30°*70°/80°*140°
CRI (Ra)	70+/80+

#### Electrical Data

Driver	Meanwell/Sosen
Input Voltage	AC100~277V
Power Factor	>0.95
Output Voltage	DC42V
Total Harmonic Distortion	<15%
Driver Efficiency	92%

#### Others

IP Rating	IP66
Lifespan	60,000Hrs
Housing	Extrusion Aluminum 6063
Lens Material	Polycarbonate
Fixture Size	571*107*461mm
Carton Size	600*140*480mm
Net Weight	12.0KG
Gross Weight	13.5KG



# NOVA Tunnel Light

## ISL-SDD-600W

### Specifications

#### Optical Data

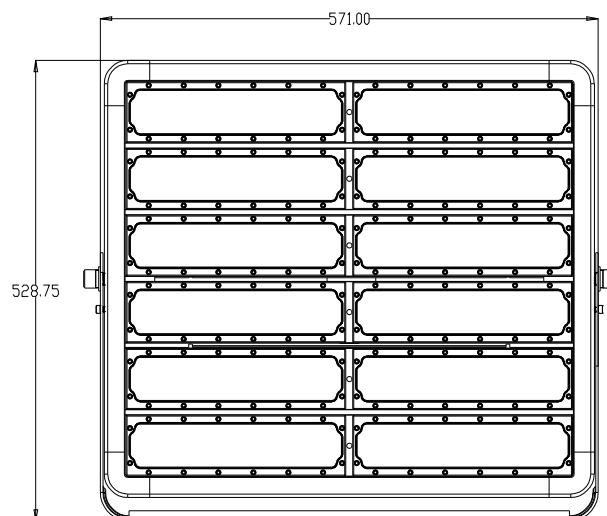
Power	600W
LED Chips	LUMILEDS / EPISTAR
Luminous Efficacy	140~150lm/W
Luminous Flux	Refer to IES
CCT	3000K~6500K
Beam Angle	15°/25°/45°/60°/90° / 20°*50°/30°*70°/80°*140°
CRI (Ra)	70+/80+

#### Electrical Data

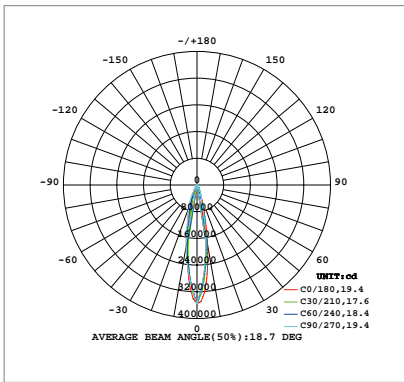
Driver	Meanwell/Sosen
Input Voltage	AC100~277V
Power Factor	>0.95
Output Voltage	DC42V
Total Harmonic Distortion	<15%
Driver Efficiency	92%

#### Others

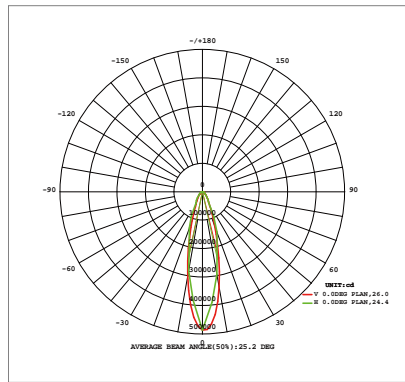
IP Rating	IP66
Lifespan	60,000Hrs
Housing	Extrusion Aluminum 6063
Lens Material	Polycarbonate
Fixture Size	571*107*529mm
Carton Size	600*140*550mm
Net Weight	14.0KG
Gross Weight	15.5KG



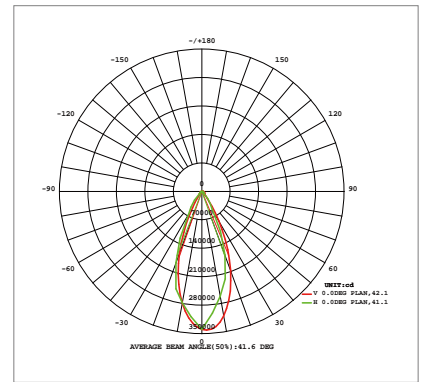
# Photometric Diagrams



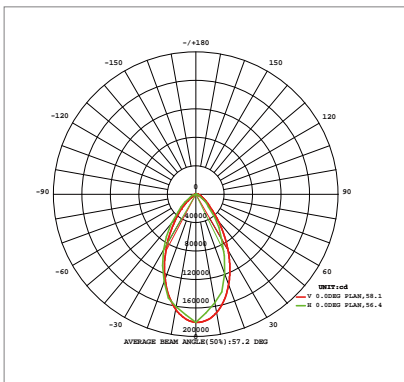
15°



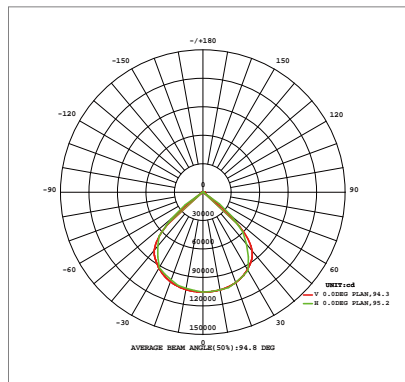
25°



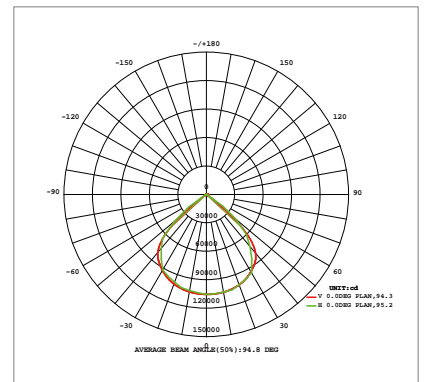
45°



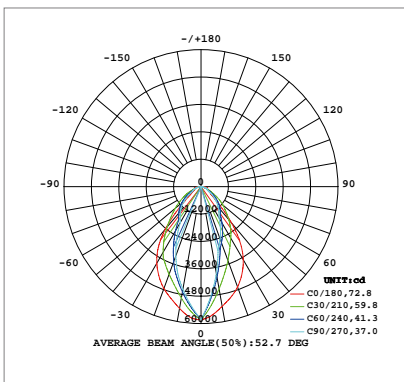
60°



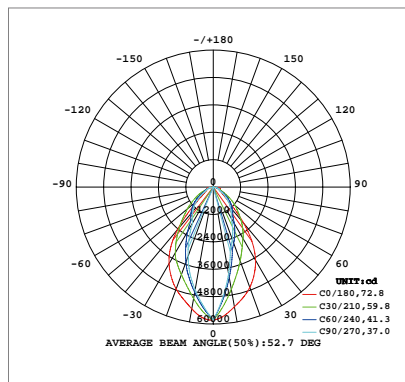
90°



20\*50°

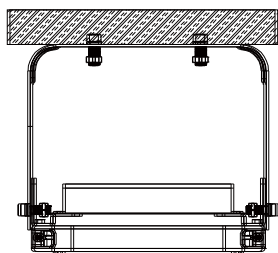


30\*70°

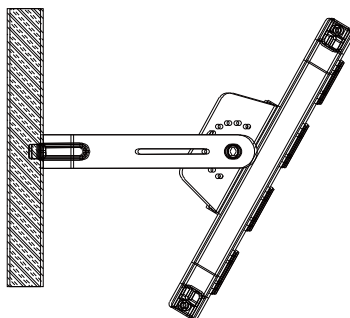


80\*140°

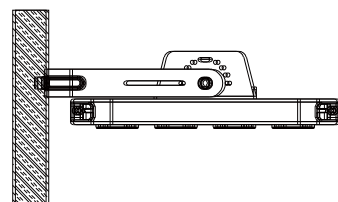
# Installations



Suspended Mounting



Wall Mounting



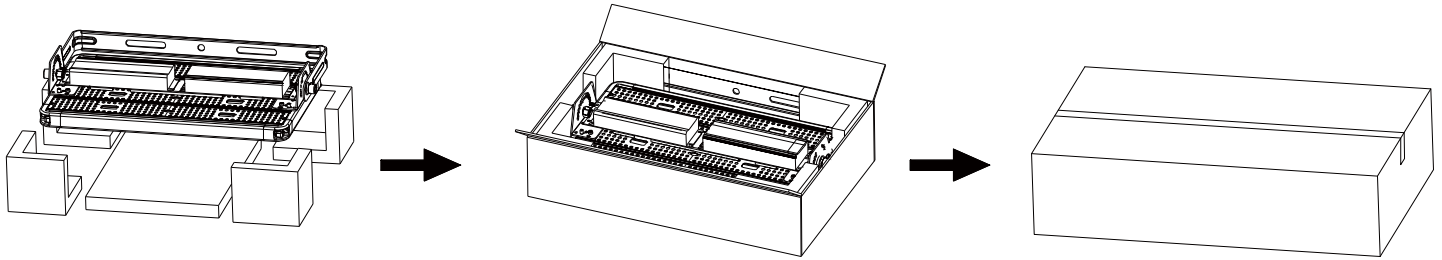
Vertical Mounting

# Application



Be able to use in tunnel, plaza, garden, lawn, playground, golf course and port etc.

# Package



# Specifications

Model	ISL-SDD-50W	ISL-SDD-100W	ISL-SDD-150W	ISL-SDD-200W	ISL-SDD-250W	ISL-SDD-300W	ISL-SDD-400W	ISL-SDD-500W	ISL-SDD-600W
Power Consumption	50W	100W	150W	200W	250W	300W	400W	500W	600W
Input Voltage	AC 100~277V								
LED Chip	Lumileds / Epistar								
LED QTY	84 pcs	168 pcs	252 pcs	336 pcs	420 pcs	504 pcs	672 pcs	840 pcs	1008 pcs
CRI	Ra>70, Ra>80								
Power Factor	>0.95								
Light Efficacy	Up to 150lm/w								
IP Rating	IP66								
Working Temp	-35°C ~ +50°C								
Beam Angel	Symmetrical 15°/30°/45°/60°/90° Asymmetrical 50°*20°/70°*30°/140°*80°								
Warranty	5 Years/ 7 Years								
Product Size Carton Size(mm)	310x87x170 340x110x190	310x87x228 340x110x190	310x87x309 340x110x190	310x87x382 340x110x190	310x87x459 340x110x190	310x87x539 340x110x190	310x87x388 340x110x190	310x87x461 340x110x190	310x87x529 340x110x190
N.W/G.W	2.3KG/2.6KG	3.6KG/4.1KG	4.5KG/5KG	5.5KG/6.5KG	6.5KG/7.5 KG	8KG/9KG	11KG/12KG	12KG/13.5KG	14KG/15.5KG